



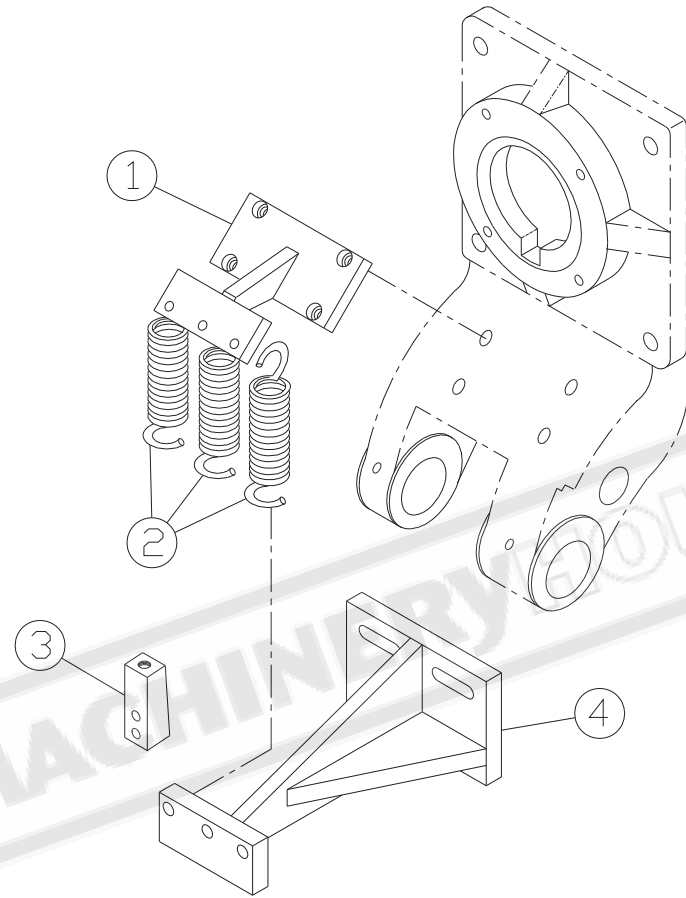






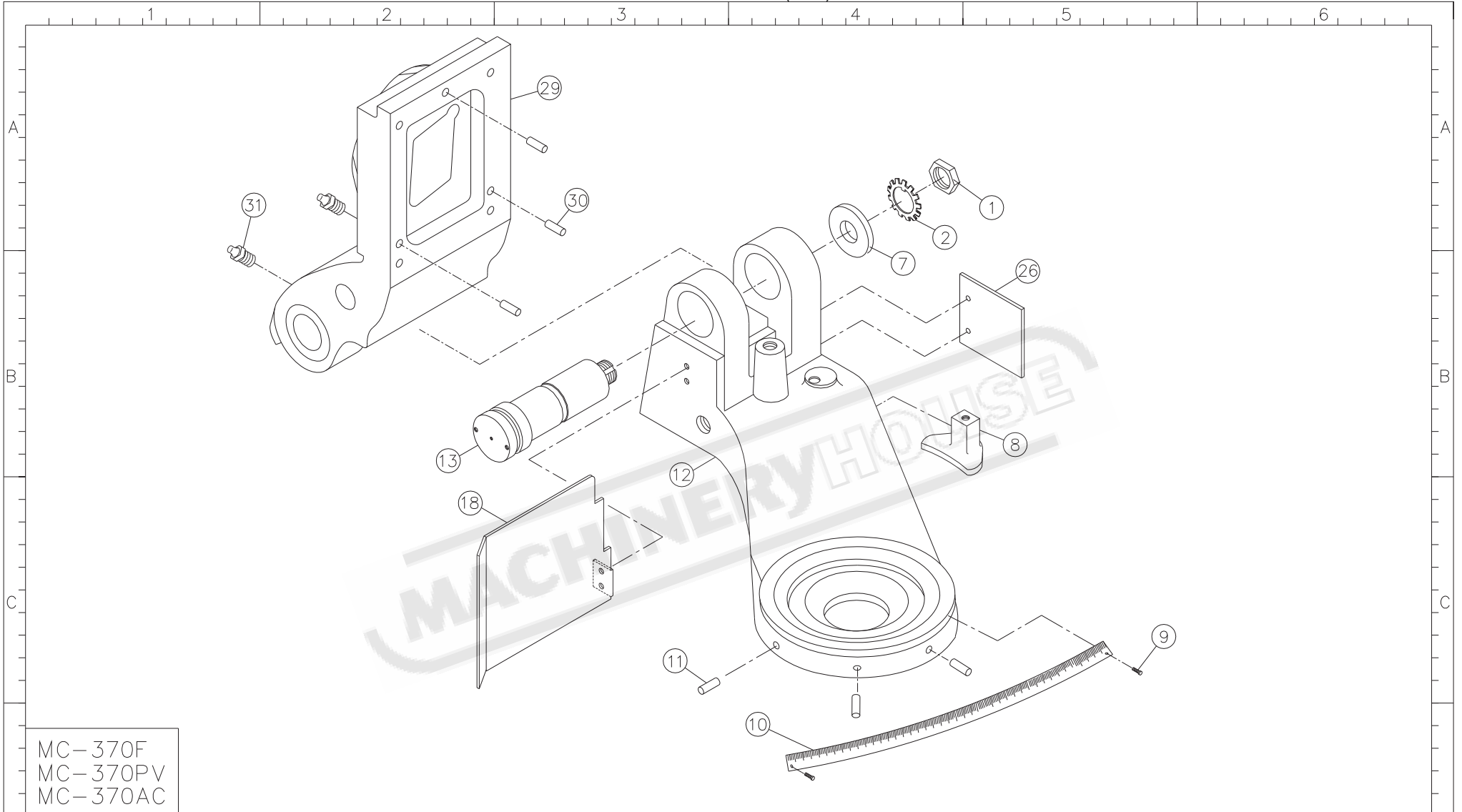
- COMMON
 MC-275F
 MC-275PV
 MC-275AC
 △MC-315F
 △MC-315PV
 △MC-315AC
 △MC-370F
 △MC-370PV
 △MC-370AC
 △HVS-375AC
 △HVS-400AC

| | | | | | | | | | | | | | | |
|---|---|------------|-----|---|---|---|------------|---|---|-----|-------------|--------------------------|------|-----|
| D | △ | 2005101802 | 蕭再村 | APPROVED | CHECKED | DRAWN | DEPARTMENT | 2006.0 3.30 10:36: 59 +08'00' |  | No. | HOEX14-0002 | SOCO MACHINERY CO., LTD. | | |
| | △ | 2005120506 | 蕭再村 |  |  |  | | Stuff | | | Title | STOPPER REGION | | |
| | △ | 2006022802 | 蕭再村 | | | | | QTY. | | | Model | MC-275F | | |
| | △ | | | | | | | Scale | | 1:5 | Size | A4 | Page | 1/1 |







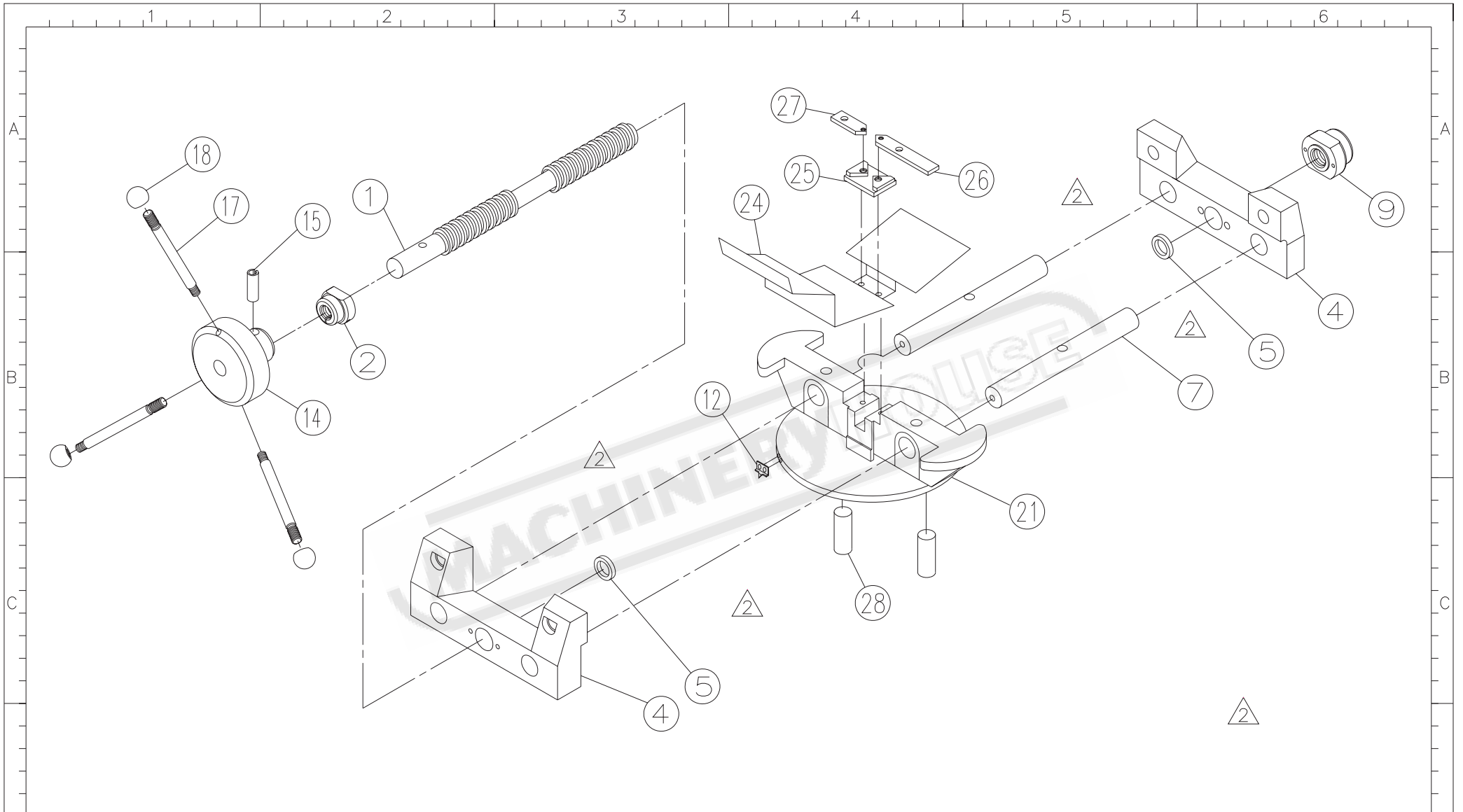
MC-370F
MC-370PV





| | | | | | | | | | | | | | | |
|---|------------|-----|---|---|---|------------|---------------------------------------|---|-------|-------------|--------------------------|---------|------|--|
| △ | 2005121604 | 蕭再村 | APPROVED | CHECKED | DRAWN | DEPARTMENT | 2006.0 1.17 08:59:15 +08'00' |  | No. | H9EX17-0000 | SOCO MACHINERY CO., LTD. | | | |
| △ | | |  |  |  | | Stuff | | | Title | SPRING SEAT REGION | | | |
| △ | | | | | | | | | QTY. | | Model | MC-370F | | |
| △ | | | | | | | | | Scale | 1:7 | Size | A4 | Page | |



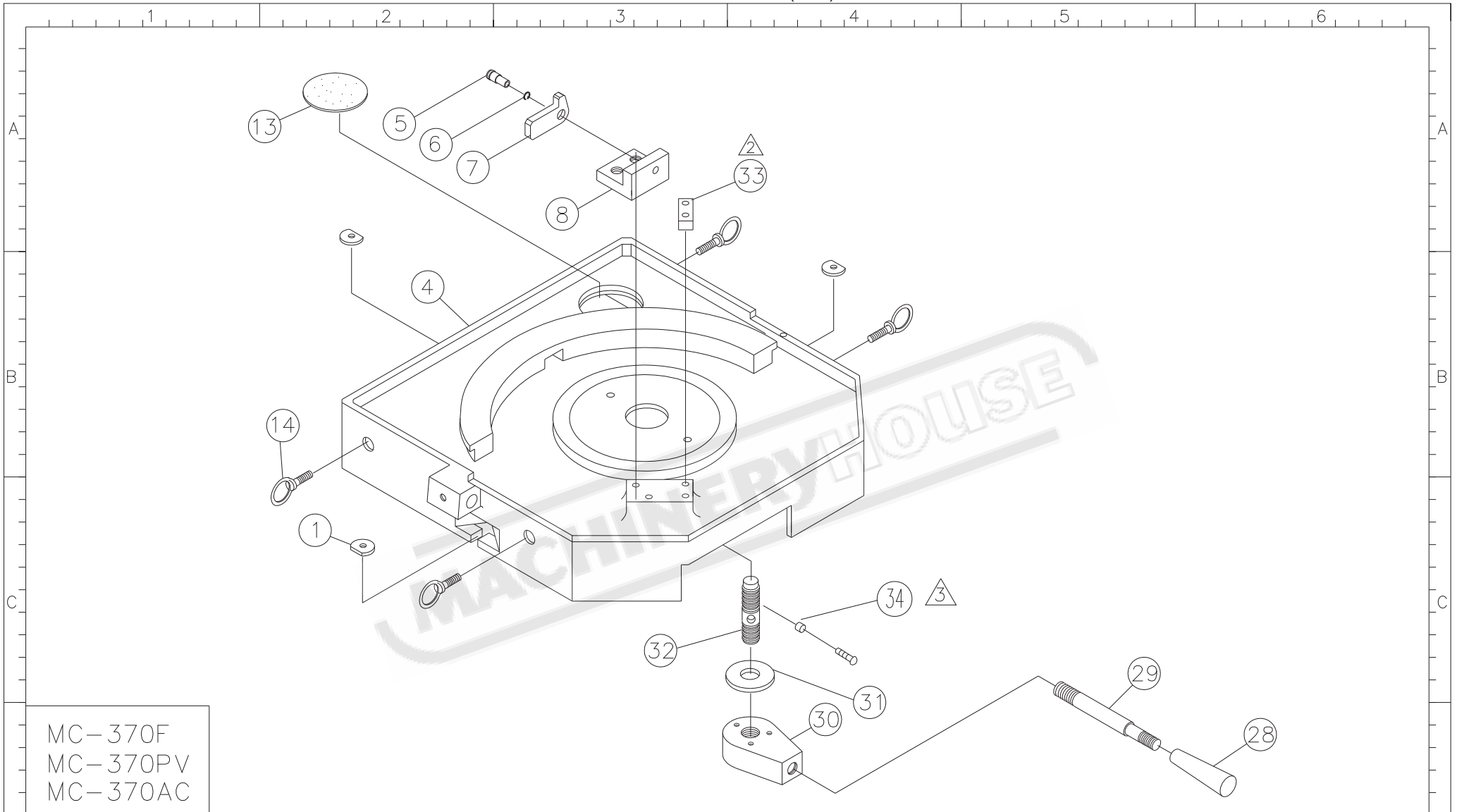
MC-370F
 MC-370PV
 MC-370AC

| | | | | | | | | | | | | | | |
|---|---|------------|-----|---|---|---|------------|--|-------|-------------|-------|--------------------------|----|------|
| D | △ | 92061602 | 鄭怡芳 | APPROVED | CHECKED | DRAWN | DEPARTMENT | 2006.0 1.17 08:57: 24 +08'00'  | No. | H9EX02-0002 | | SOCO MACHINERY CO., LTD. | | |
| | △ | 2005121604 | 蕭再村 |  |  |  | | | Stuff | | Title | ROTARY SEAT REGION | | |
| | △ | | | | | | | | QTY. | | Model | MC-370F | | |
| | △ | | | | | | | | Scale | 1:8 | | Size | A4 | Page |



| | | | | | | | | | | | | | |
|---|------------|-----|---|---|---|------------|--|-------|-------------|--------------------------|---------|------|--|
| △ | 2005121604 | 蕭再村 | APPROVED | CHECKED | DRAWN | DEPARTMENT |  <p>2009.08.24 15:01:23 +08'00'</p> | NO. | H9EX06-0002 | SOCO MACHINERY CO., LTD. | | | |
| △ | 2009081810 | 詹進南 |  |  |  | | | Stuff | | Title | 夾鉗部位 | | |
| △ | | | | | | | | QTY. | | Model | MC-370F | | |
| △ | | | | | | | | Scale | 1:8 | Size | A4 | Page | |

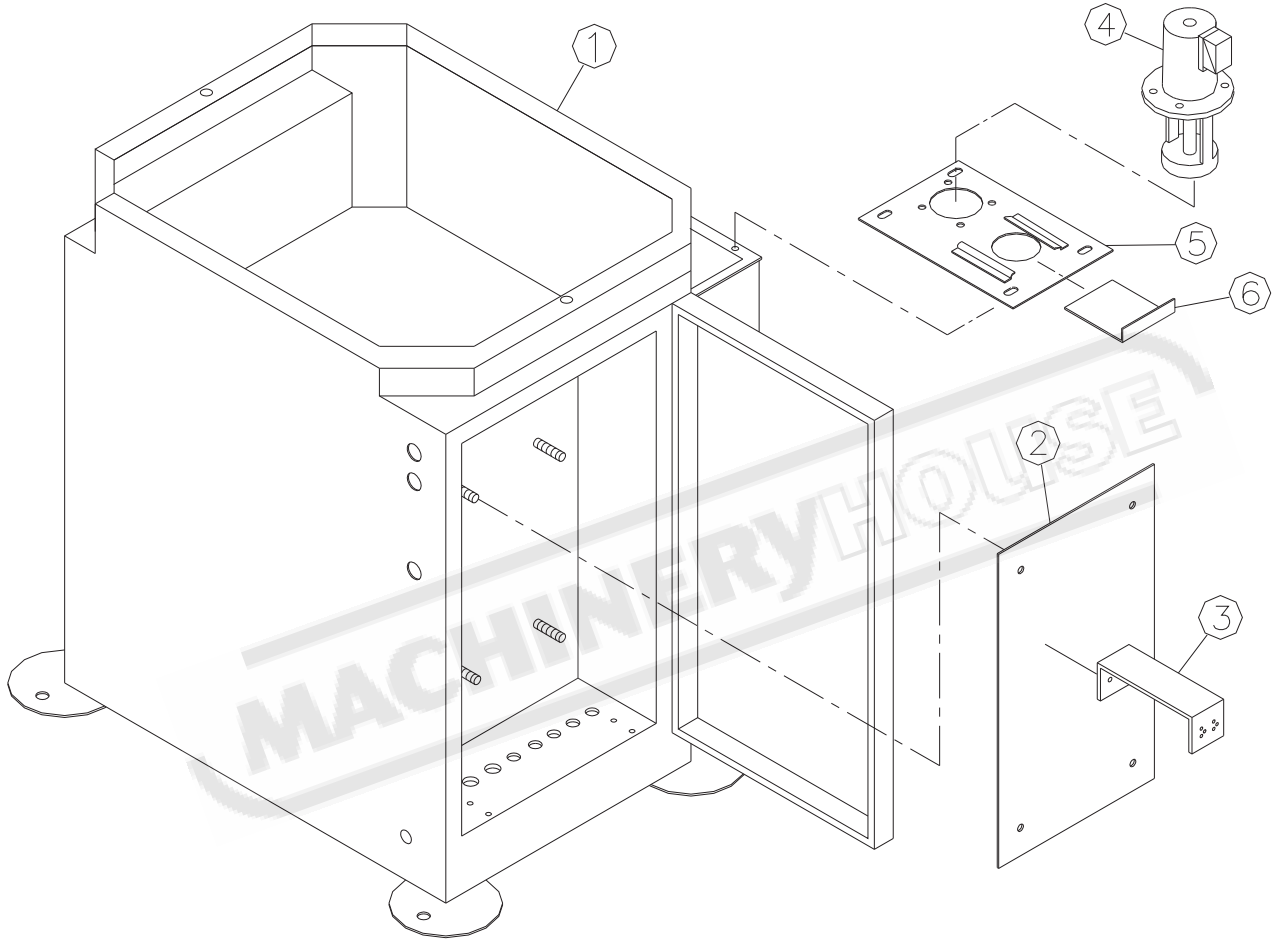
| 序號 | 件號 | 品名 | 用量 | 規格 | 序號 | 件號 | 品名 | 用量 | 規格 |
|----|--------|------|----|------------|----|--------|---------|----|---------|
| 1 | H5D001 | 螺桿 | 1 | | 26 | H5D005 | 夾鉗座本體墊塊 | 1 | (大) |
| 2 | H5D015 | 前螺帽 | 1 | | 27 | H5D004 | 夾鉗座本體墊塊 | 1 | (小) |
| 3 | | | | | 28 | H0C012 | 平行銷 | 2 | D10*L28 |
| 4 | H9D002 | 夾鉗 | 2 | | 29 | | | | |
| 5 | ZQ0058 | 油封 | 2 | 28.40.5 VC | 30 | | | | |
| 6 | | | | | 31 | | | | |
| 7 | H5D009 | 滑軌軸 | 2 | | 32 | | | | |
| 8 | | | | | 33 | | | | |
| 9 | H5D016 | 後螺帽 | 1 | | 34 | | | | |
| 10 | | | | | 35 | | | | |
| 11 | | | | | 36 | | | | |
| 12 | H0A017 | 角度指針 | 1 | | 37 | | | | |
| 13 | | | | | 38 | | | | |
| 14 | H0D016 | 把手頭 | 1 | | 39 | | | | |
| 15 | ZK0200 | 彈簧梢 | 1 | 6*40 | 40 | | | | |
| 16 | | | | | 41 | | | | |
| 17 | H0D017 | 旋緊把手 | 3 | | 42 | | | | |
| 18 | ZK0033 | 把手球 | 3 | 1/2" 圓珠 | 43 | | | | |
| 19 | | | | | 44 | | | | |
| 20 | | | | | 45 | | | | |
| 21 | H9D001 | 夾鉗本體 | 1 | | 46 | | | | |
| 22 | | | | | 47 | | | | |
| 23 | | | | | 48 | | | | |
| 24 | H5D002 | 遮屑板 | 1 | | 49 | | | | |
| 25 | H0D003 | 壓塊 | 1 | | 50 | | | | |






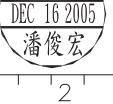



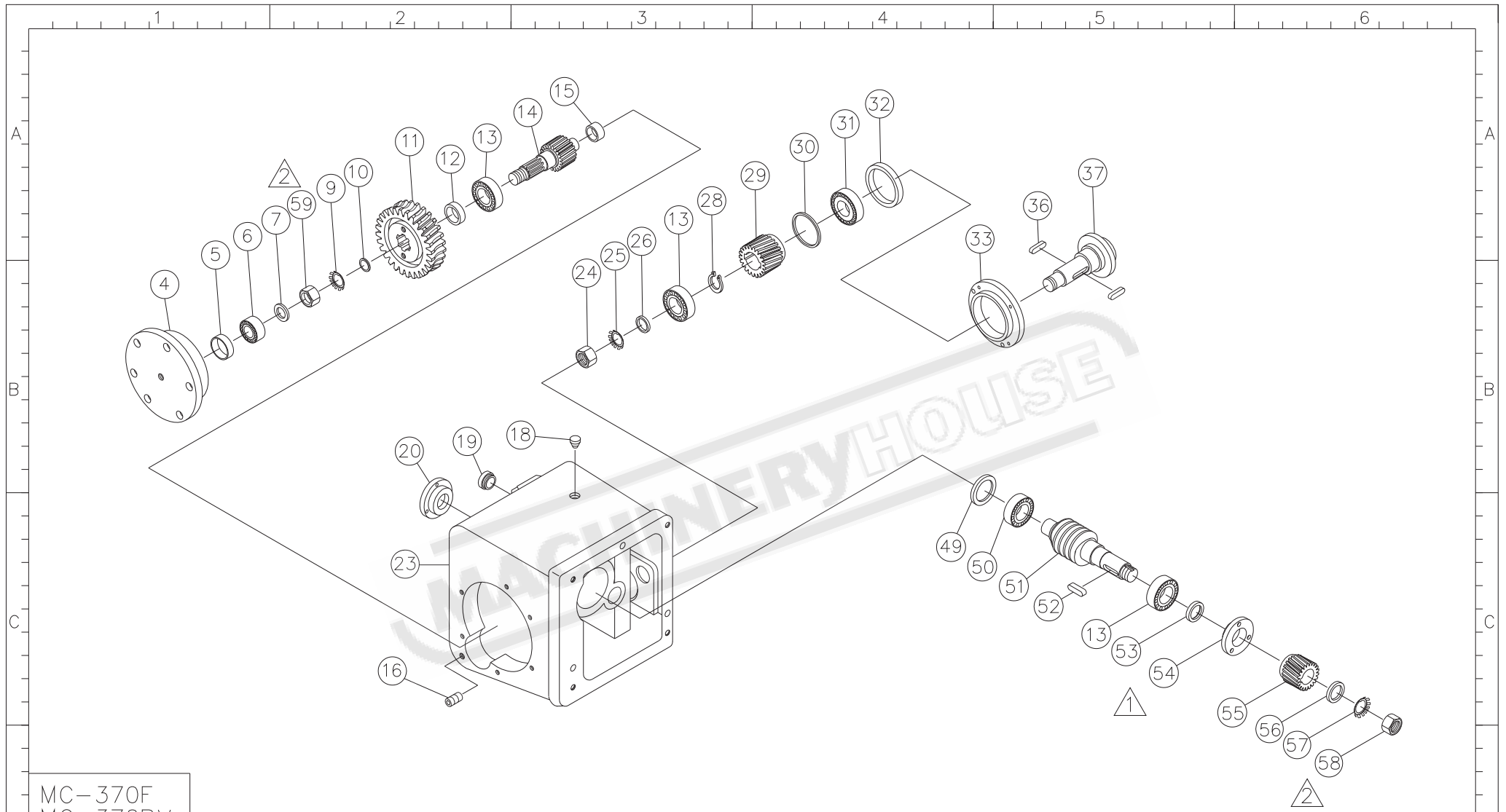
MC-370F
 MC-370PV
 MC-370AC

| | | | | |
|-------|-------------|--------------------------|----|------|
| NO. | H9EX01-0003 | SOCO MACHINERY CO., LTD. | | |
| Stuff | | 底板部位爆炸圖 | | |
| QTY. | | MC-370F | | |
| Scale | 1:8 | Size | A4 | Page |



| | | | | | | |
|------------|-----|------------------|------------------|------------------|------------|---|
| 2004060301 | 張清相 | APPROVED | CHECKED | DRAWN | DEPARTMENT | 2008.0 4.08 13:47:4 0 +08'00' |
| 2005121604 | 蕭再村 | 工程 04.01.2008 | 工程 04.01.2008 | 工程 04.01.2008 | | |
| 2006071807 | 詹進南 | 黃瑞麟 | 張季豐 | 朱恆慶 | | |
| 2008033101 | 朱恆慶 | | | | | |



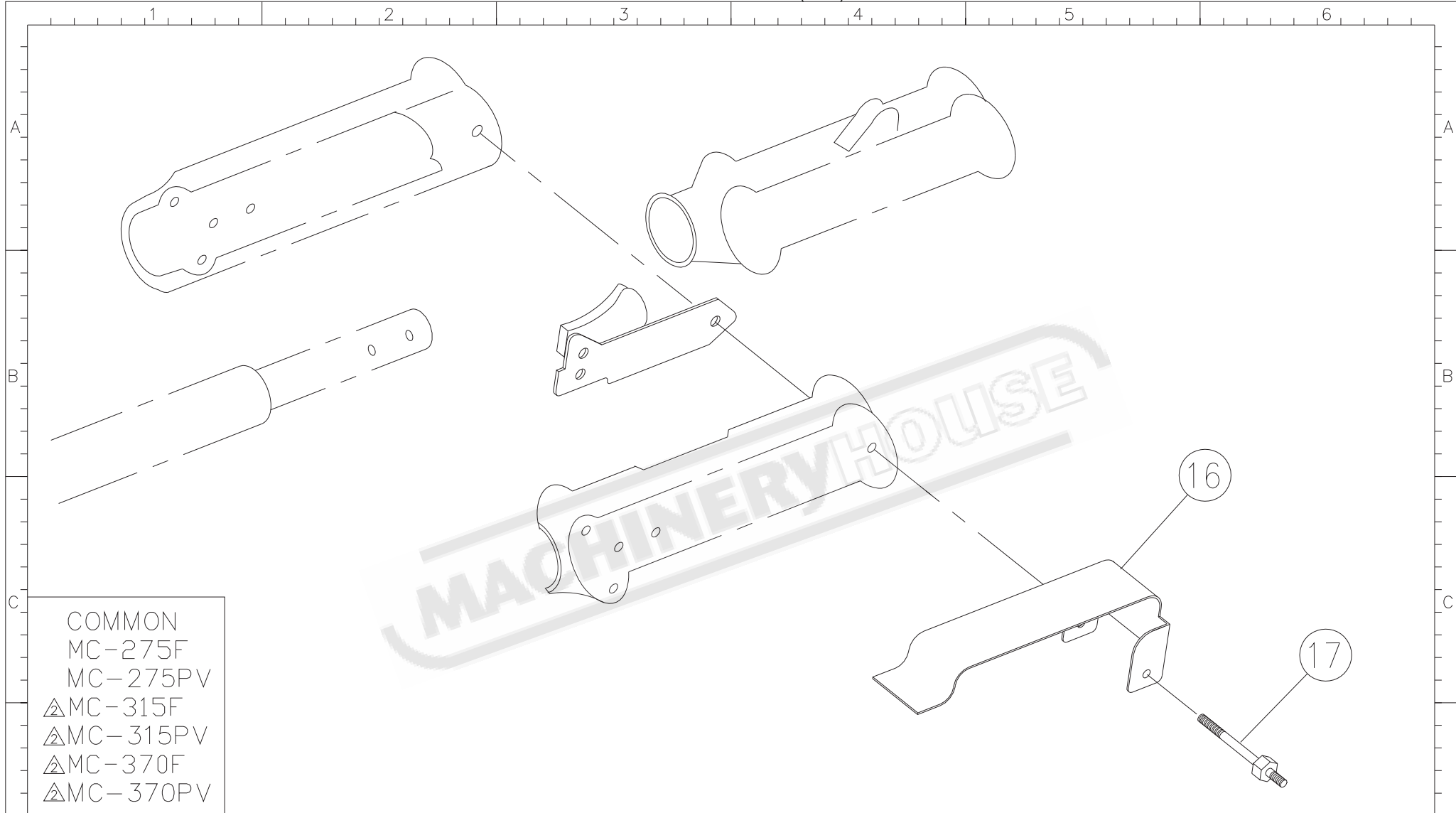
| | | | | | | | | | | | | | |
|---|------------|-----|---|---|---|------------|---|---|-----|-------------|--------------------------|------|--|
| △ | 2005121604 | 蕭再村 | APPROVED | CHECKED | DRAWN | DEPARTMENT | 2006.0 1.17 08:58: 32 +08'00' |  | NO. | H9EX13-0000 | SOCO MACHINERY CO., LTD. | | |
| △ | | |  |  |  | | Stuff | | | Title | BASE REGION | | |
| △ | | |  |  |  | | QTY. | | | Model | MC-370F | | |
| △ | | | | | | | Scale | | 1:8 | Size | A4 | Page | |








MC-370F
MC-370PV

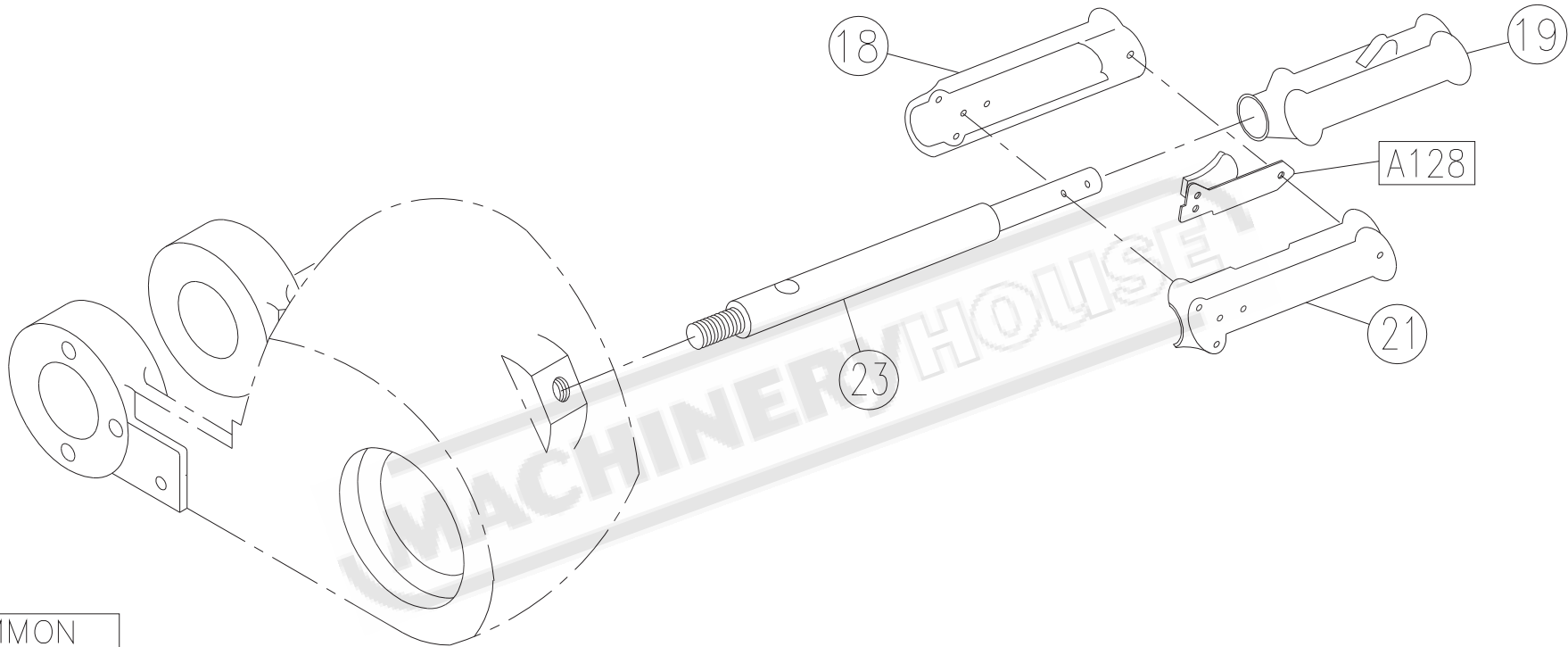
| | | | | | | | | | | | | | | | |
|---|---|------------|-----|----------|---------|-------|------------|--|---|-------|-------------|---------------------------------|---------------------|---|------|
| D | △ | 2005121604 | 蕭再村 | APPROVED | CHECKED | DRAWN | DEPARTMENT |  2008.02.28 14:19:54 +08'00' |  | NO. | H9EX14-0002 | SOCO MACHINERY CO., LTD. | | | |
| | △ | 2006102401 | 吳蓓怡 | 工程部 | 工程部 | 工程部 | | | | Stuff | | Title | MACHINE HEAD REGION | | |
| | △ | 2008022505 | 朱恆慶 | 黃瑞麟 | 潘俊宏 | 朱恆慶 | | | | QTY. | | Model | MC-370F | | |
| | △ | | | | | | | | | Scale | 1:10 | Size | A4 | ⊕ | Page |

| 序號 | 件 號 | 品 名 | 用量 | 規 格 | 序號 | 件 號 | 品 名 | 用量 | 規 格 |
|-----|--------|---------|----|---------------|-----|--------|---------|----|----------------------------|
| 004 | H5C006 | 側蓋(染黑) | 1 | | 032 | ZQ0148 | 油封 | 1 | 65.88.12 |
| 005 | H5C007 | 軸承壓環 | 1 | | 033 | H5K016 | 軸承蓋(染黑) | 1 | |
| 006 | VG0019 | 軸承 | 1 | E30304J | 036 | ZV0041 | 雙頭圓鍵 | 2 | 8*7*45 |
| 007 | H5C008 | 蝸輪軸墊環 | 1 | | 037 | H5C005 | 主軸(防銹) | 1 | |
| 009 | ZK0258 | 梅花墊片 | 1 | AW 05,D25 彎舌型 | 049 | H5C014 | 軸承壓環 | 1 | |
| 010 | H5C009 | 外襯圈 | 1 | | 050 | VG0028 | 軸承 | 1 | E32204J |
| 011 | H5C010 | 蝸輪 | 1 | | 051 | H5C015 | 蝸桿軸 | 1 | |
| 012 | H5C011 | 蝸輪內襯環 | 1 | | 052 | ZV0031 | 雙頭圓鍵 | 1 | 8*7*32 |
| 013 | VG0029 | 軸承 | 3 | E32206J | 053 | H5C016 | 襯環 | 1 | |
| 014 | H5C012 | 螺旋齒輪拴槽軸 | 1 | | 054 | H5C017 | 軸承蓋(染黑) | 1 | |
| 015 | VF0054 | 軸承 | 1 | TLAM 202620 | 055 | H5C018 | 螺旋齒輪 | 1 | |
| 016 | ZE0010 | 塞頭 | 1 | PT3/8" | 056 | H5C019 | 襯環 | 1 | |
| 018 | ZE0013 | 注油孔螺絲 | 1 | 3/8"PT(PVC) | 057 | ZK0390 | 梅花墊圈 | 1 | AW-04,D20 直舌型 |
| 019 | IK0031 | 油鏡 | 1 | 21mm | 058 | H9C001 | 螺帽 | 1 | M20*P1.5*邊 26*6.5mm厚(染黑) 右 |
| 020 | H5C013 | 封蓋(染黑) | 1 | | 059 | H9C002 | 螺帽 | 1 | M25*P1.5*邊 32*9mm厚(染黑) 右 |
| 023 | H5A001 | 機頭 | 1 | | | | | | |
| 024 | H0C006 | 六角螺帽 | 1 | M30*P1.5 | | | | | |
| 025 | ZK0259 | 梅花墊片 | 1 | AW 06,D30 彎舌型 | | | | | |
| 026 | H5C002 | 主軸內襯套 | 1 | | | | | | |
| 028 | ZP0011 | C型扣環 | 1 | R-45 | | | | | |
| 029 | H5C001 | 螺旋齒輪 | 1 | | | | | | |
| 030 | H5C003 | 墊環 | 1 | | | | | | |
| 031 | VG0017 | 軸承 | 1 | E30211J | | | | | |




COMMON
 MC-275F
 MC-275PV
 ▲MC-315F
 ▲MC-315PV
 ▲MC-370F
 ▲MC-370PV

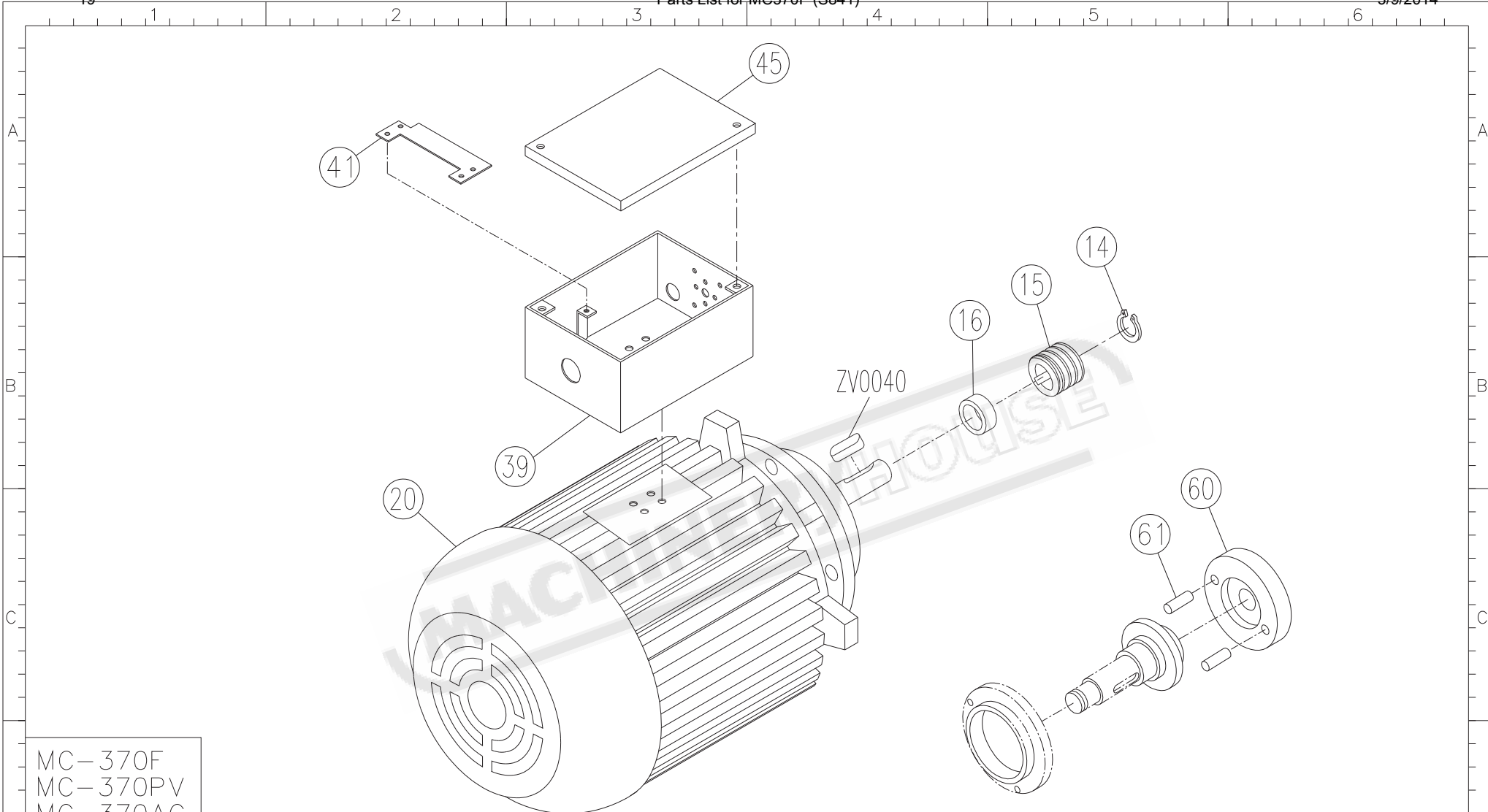
| | | | | | | | | | | | | |
|---|------------|-----|---|---|---|--|---|---|---|--------------------------|--|--|
| △ | 2005101802 | 蕭再村 | APPROVED | CHECKED | DRAWN | DEPARTMENT |  | NO. HOEX11-0002 Stuff QTY. Scale 1:3 | Title HANDLE REGION Model MC-275F Size A4 Page 1/1 | SOCO MACHINERY CO., LTD. | | |
| △ | 2005120506 | 蕭再村 |  |  |  |  | | | | | | |
| △ | | | | | | | | | | | | |
| △ | | | | | | | | | | | | |



COMMON
 MC-275F
 MC-275PV
 ▲MC-370F
 ▲MC-370PV

A128 consult Electrical Appendix

| | | | | | | | | | | | | | |
|---|------------|-----|-------------------|-------------------|-------------------|------------|---|---|-------|---|---------------|----|------|
| 1 | 88010702 | 林士超 | APPROVED | CHECKED | DRAWN | DEPARTMENT | 2006.0 1.17 09:02: 08 +08'00' |  | NO. | HOEX03-0004 SOCO MACHINERY CO., LTD. | | | |
| 2 | 92080101 | 張清相 | 工程 DEC 16 2005 | 工程 DEC 16 2005 | 工程 DEC 16 2005 | | | | Stuff | Title | Handle Region | | |
| 3 | 2005101802 | 蕭再村 | 黃瑞麟 | 潘俊宏 | 蕭再村 | | | | QTY. | Model | MC-275F | | |
| 4 | 2005121604 | 蕭再村 | | | | | | | Scale | 1:6 | Size | A4 | Page |



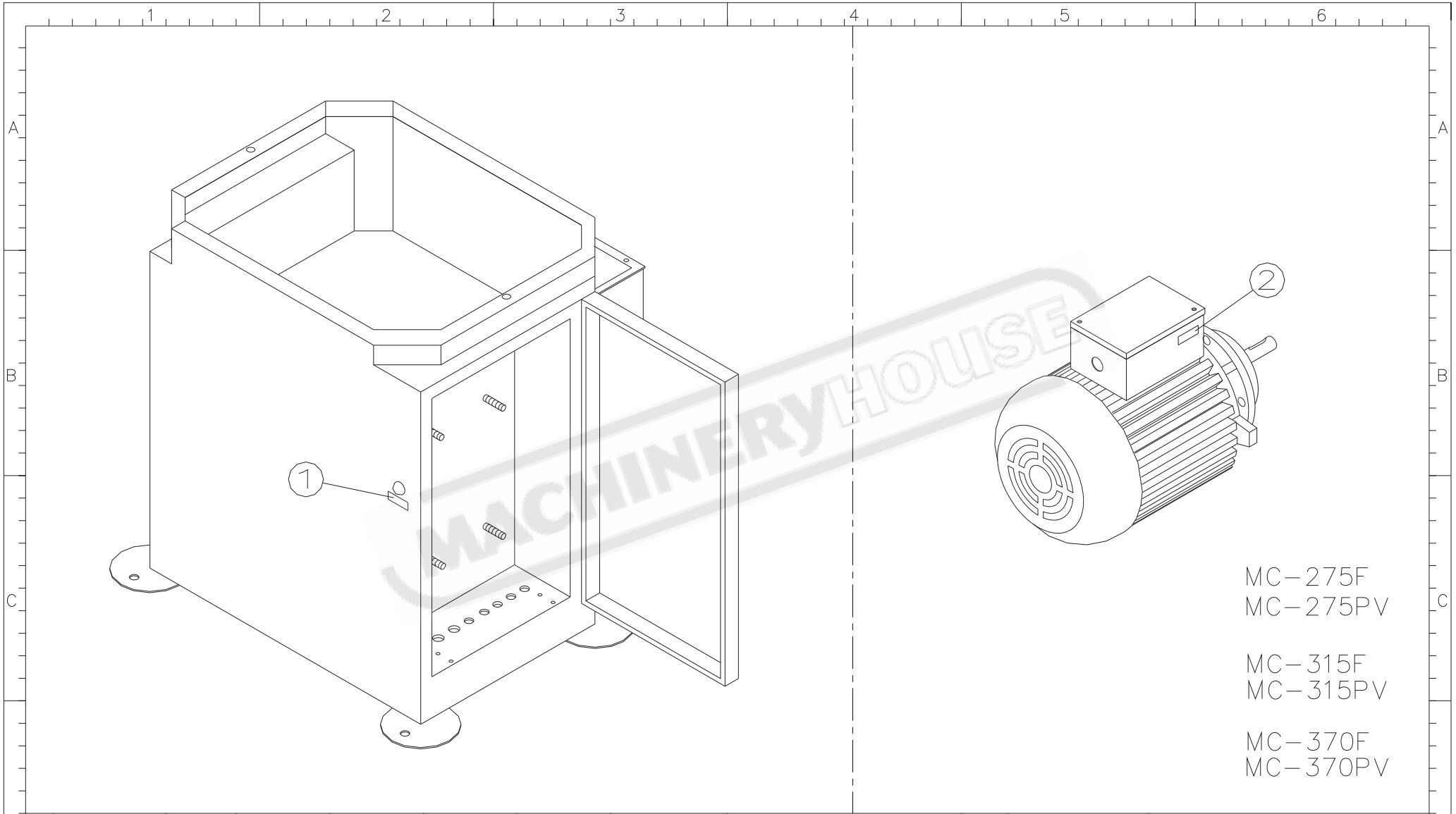
MC-370F
 MC-370PV
 MC-370AC

| | | | | | | |
|---|------------|-----|--------------------|--------------------|--------------------|------------|
| △ | 92061602 | 鄭怡芳 | APPROVED | CHECKED | DRAWN | DEPARTMENT |
| △ | 92090801 | 張清相 | 工程 部 | 工程 部 | 工程 部 | |
| △ | 2005121604 | 蕭再村 | DEC 16 2005 黃瑞麟 | DEC 16 2005 潘俊宏 | DEC 16 2005 蕭再村 | |
| △ | | | | | | |

2006.0
 1.17
 08:56:
 19
 +08'00'







| | | | | |
|-------|-------------|--------------------------|--------------|------|
| NO. | H9EX04-0003 | SOCO MACHINERY CO., LTD. | | |
| Stuff | | Title | MOTOR REGION | |
| QTY. | | Model | MC-370F | |
| Scale | 1:8 | Size | A4 | Page |

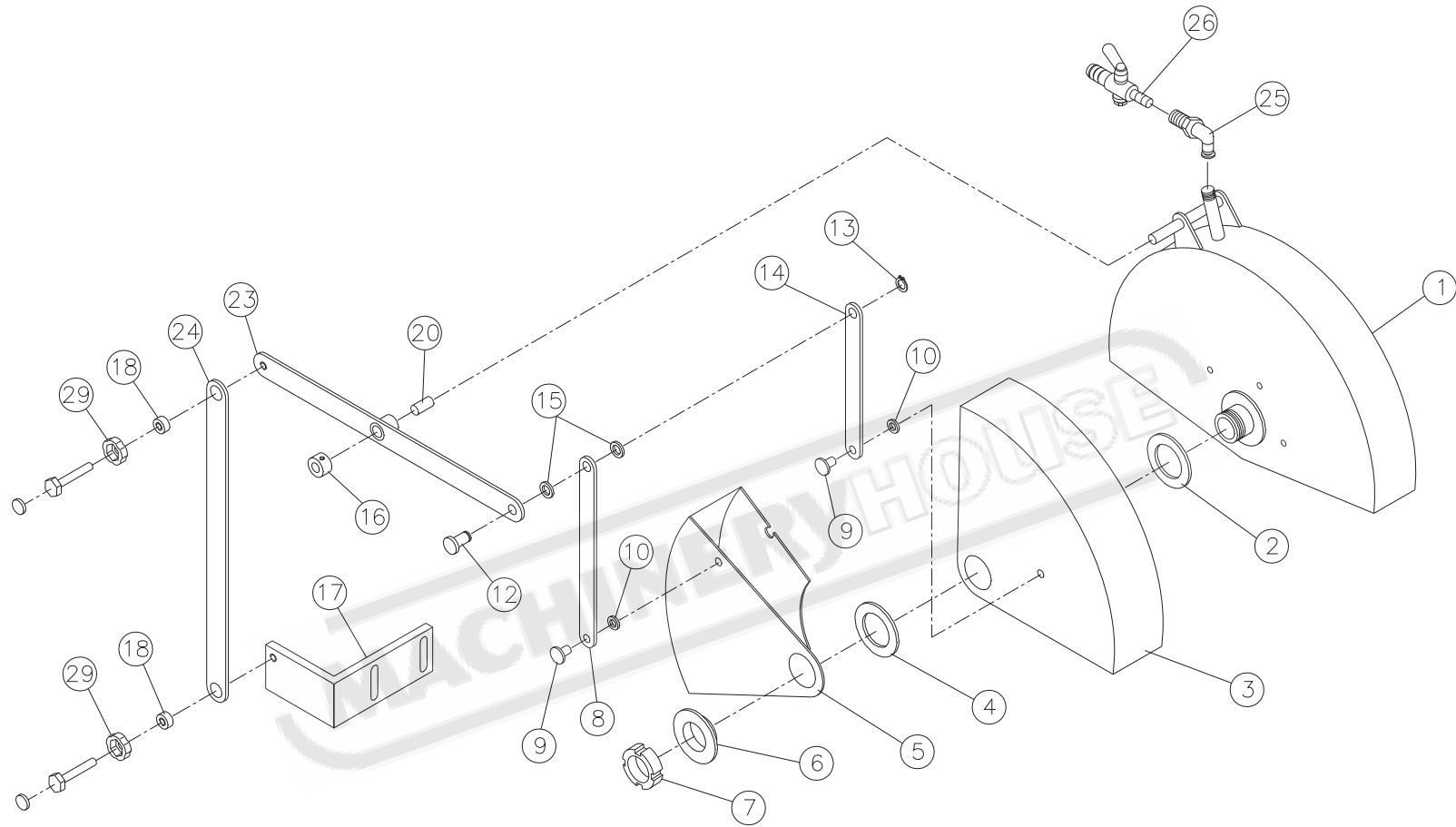


MC-275F
MC-275PV

MC-315F
MC-315PV

MC-370F
MC-370PV

| | | | | | | | | | | | | | | | | |
|---|---|------------|-----|---|---|---|------------|--|---|-------|-------------|---------------------------------|----------------|---------|------|-----|
| D | △ | 2006041007 | 蕭再村 | APPROVED | CHECKED | DRAWN | DEPARTMENT | 2006.0 4.12 09:13: 41 +08'00 |  | NO. | HOEX22-0000 | SOCO MACHINERY CO., LTD. | | | | |
| | △ | | |  |  |  | | | | Staff | | Title | STICKER REGION | | | |
| | △ | | | | | | | | | | QTY. | | Model | MC-275F | | |
| | △ | | | | | | | | | | Scale | 1:8 | Size | A4 | Page | 1/1 |



MC-370F
MC-370PV

| | | | | | | |
|---|------------|-----|-------------------------------|-------------------------------|-------------------------------|------------|
| △ | 2005121604 | 蕭再村 | APPROVED | CHECKED | DRAWN | DEPARTMENT |
| △ | | | 工程 部 DEC 16 2005 黃瑞麟 | 工程 部 DEC 16 2005 潘俊宏 | 工程 部 DEC 16 2005 蕭再村 | |
| △ | | | | | | |
| △ | | | | | | |

2006.0
1.17
08:59:
47
+08'00'



| | | | | |
|-------|-------------|--------------------------|----------------------|------|
| NO. | H9EX12-0000 | SOCO MACHINERY CO., LTD. | | |
| Stuff | | Title | CE SAFE COVER REGION | |
| QTY. | | Model | MC-370F | |
| Scale | 1:7 | Size | A4 | Page |

| 序號 | 件 號 | 品 名 | 用量 | 規 格 | 序號 | 件 號 | 品 名 | 用量 | 規 格 |
|-----|--------|----------|----|-----------------|----|-----|-----|----|-----|
| 001 | H5K009 | 安全蓋 | 1 | | | | | | |
| 002 | H0K025 | 墊圈 | 1 | 材質:PE | | | | | |
| 003 | H5K010 | 前護蓋 | 1 | | | | | | |
| 004 | H0K017 | 墊圈 | 1 | 材質:PE | | | | | |
| 005 | H5K011 | 後護蓋 | 1 | | | | | | |
| 006 | H0K016 | 壓環 | 1 | 材質:PE | | | | | |
| 007 | ZK0271 | 精密螺帽 | 1 | YSR M30*P1.5 | | | | | |
| 008 | H5K013 | 短連桿 | 1 | | | | | | |
| 009 | H0K023 | 平頭鉚釘 | 2 | | | | | | |
| 010 | H0K020 | 墊圈 | 2 | 材質:PE | | | | | |
| 012 | H0K024 | 平頭鉚釘 | 1 | | | | | | |
| 013 | ZP0017 | C型扣環 | 1 | S-10 | | | | | |
| 014 | H5K012 | 短連桿 | 1 | | | | | | |
| 015 | H0K021 | 墊圈 | 2 | 材質:PE | | | | | |
| 016 | H0K018 | 固定環 | 1 | | | | | | |
| 017 | H5K017 | 連桿座 | 1 | | | | | | |
| 018 | H0K019 | 套環 | 2 | 材質:銅 | | | | | |
| 020 | VM0100 | 軸承 | 1 | LFB-1020 | | | | | |
| 023 | H5K014 | 連接桿 | 1 | | | | | | |
| 024 | H5K015 | 長連桿 | 1 | | | | | | |
| 025 | ZG0153 | 銅接頭 | 1 | 1/8PT 雙內牙 彎 90度 | | | | | |
| 026 | 1B0150 | 銅控制閥(考克) | 1 | PT1/8*W3/8 | | | | | |
| 029 | ZH0221 | 梅型把手 | 2 | SK-38 | | | | | |